

KIOUR Limit Supervisor – Relay Limit 4-20mA. Type LR-1.



GENERAL CHARACTERISTICS

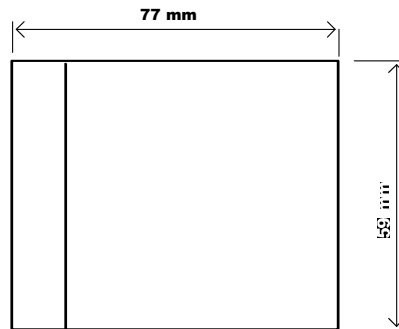
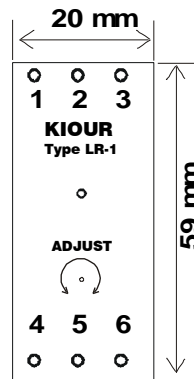
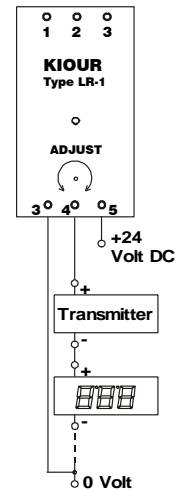
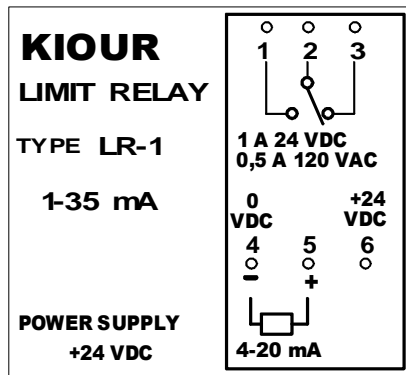
The limit supervisor checks the upper level of a 4 - 20 mA signal. When the current value rises above the upper level, for example 12 mA, the upper level relay activates. You can adjust the desired current upper level by the use of a trimmer

TECHNICAL CHARACTERISTICS

- One Relay 1 A 24 Volt. 0,5A 120 VAC Res
- Power supply: 24 V. DC
- Operation temperature: 0 - 60°C
- Storage temperature: -20 - +60°C
- The device can be mounted on a Ω type rail

ATTENTION to prevent electrostatic discharges at the side slots of the device and sharp objects from been inserted

CONNECTIONS - DIMENSIONS



The device is under **two year's guarantee** of good operation.

Guarantee terms : The guarantee is valid only if the manual instructions have been applied. The control and service of the device must be done by an authorized technician. The guarantee covers only the replacement or the service of the device.