

KIOUR ALARM-UNIT Type ALU-M (Master) and ALU-S (Slave)

ALARM UNIT 10 channels with timer delay and normally open or normally close inputs



GENERAL CHARACTERISTICS

The ALARM UNIT is available in two types **ALU-M** (master), **ALU-S** (slave) and has the following characteristics:

- signal input 230 VAC, 24 Volt AC/DC after request
- timer delay for each input from 0 - 100 sec
- set up of each input to detect the signal from normally open or close contact
- capable of connecting up to 32 Units, which can operate with common RESET, TEST LAMP and common ALARM outputs
- input 9 can work as TEST LAMP and input 10 as RESET
- two Relays, one relay on the unit (250 Volt AC) and the other one is external
- ten corresponding OUTPUTS, 10 - 20 mA for remote monitoring

OPERATION OF THE UNIT

The incoming ALARM activates a relay and the corresponding LED is flashing.

RESET: Resets the relay and LED's change to steady lights if the input signal is still active

TEST: Activate all LED

OPERATION OF THE BUTTONS

ENTER : By pressing **ENTER** we enter the parameter's list and the first parameter is **Cod**.

SET : By pressing **SET** we see the value of the parameter and by pressing SET again we see the name of the parameter.

  : With the arrows we scroll into the parameter's list or change the stored value. When we don't setup the parameters the arrows work as **RESET** and **TEST LAMP**.

MANAGING THE PARAMETERS

1. By pressing **ENTER** we see the parameter named **Cod**. If we enter the number **22** in this parameter we permit access to the rest of the parameters in the list.
2. By pressing **SET** we see the value of the parameter and with the arrows we change it. By pressing **ENTER** we confirm the new value. We can cancel it and take the old one by pressing **SET**.
3. To exit the parameter's list, we press **ENTER**.

OPTICAL SIGNS - ALARMS (in the Master Unit)

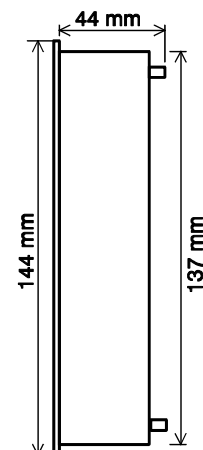
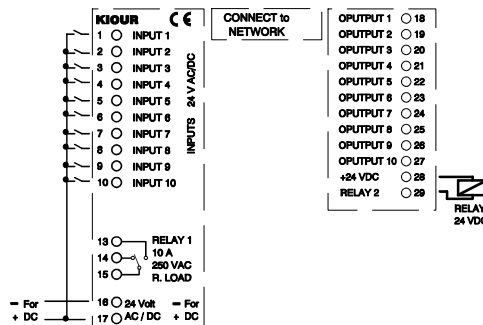
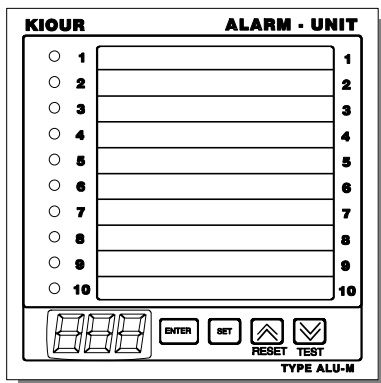
F 1 : the Master Unit does not communicate with the Slave Unit No 1

TECHNICAL CHARACTERISTICS

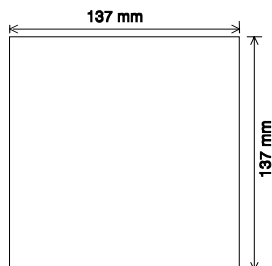
- power supply 24 V AC/DC
- relay 250 VAC 10A Resistive Load
- operating temperature: 0 – 60 °C
- storage temperature: -20 - +80 °C
- maximum power consumption 5 Watt

ATTENTION: It is necessary to prevent electrostatic discharges at the side ventilation openings. Also prevent insertion of pointed elements.

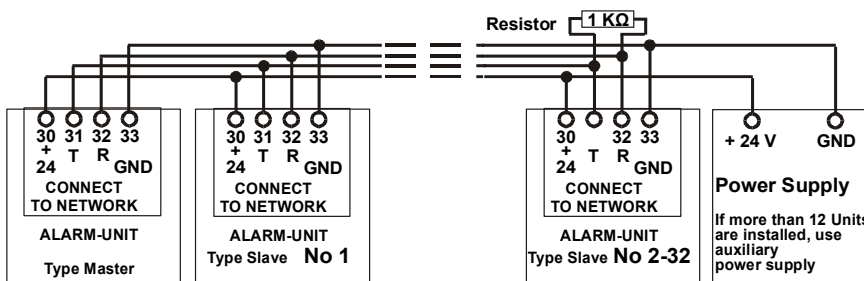
CONNECTION DIAGRAMS - DIMENSIONS



Panel Hole Dimensions



Connection of the units in the network (up to 32 Units)



A/A	PARAMETERS - DISCRPTION
1	Cod Code Number. The number 22 permits access to the rest of the parameters
2	t 1 Timer delay Alarm 1, Value 0 - 100 sec.
3	t 2 // // //
4	t 3 // // //
5	t 4 // // //
6	t 5 // // //
7	t 6 // // //
8	t 7 // // //
9	t 8 // // //
10	t 9 // // //
11	t10 // // //
12	i 1 Normally open or normally close input, Value NC or NO
13	i 2 // // //
14	i 3 // // //
15	i 4 // // //
16	i 5 // // //
17	i 6 // // //
18	i 7 // // //
19	i 8 // // //
20	i 9 // // //
21	i10 // // //
22	o 1 OUTPUT to RELAY 1 or to RELAY 2. Value r 1 or r 2
23	o 2 // // //
24	o 3 // // //
25	o 4 // // //
26	o 5 // // //
27	o 6 // // //
28	o 7 // // //
29	o 8 // // //
30	o 9 // // //
31	o10 // // //
32	C 9 Sets the input to operate as TEST LAMP, Value n / t (n = Normal, t = Test)
33	C10 Sets the input to operate as RESET, Value n / r (n = Normal, r = RESET)
34	tYP By entering the number 11 , only the dot of the display is ON and the operation of dimming is activated. With the down arrow we increase/decrease the intensity of the Led in four levels.
35	noU The value of the parameter indicates in the <i>Master Unit</i> the number of Slave Units that must be controlled (0-31), while in the <i>Slave Unit</i> the address of each Unit (1-31).

Guarantee of good operation: Two (2) years.

Guarantee terms. The guarantee is valid if the operating instructions are followed.

The **repairing** and the **service** of the instrument must be done by an authorized technician.

The **guarantee** covers only the repairing or the replacement of the instrument.